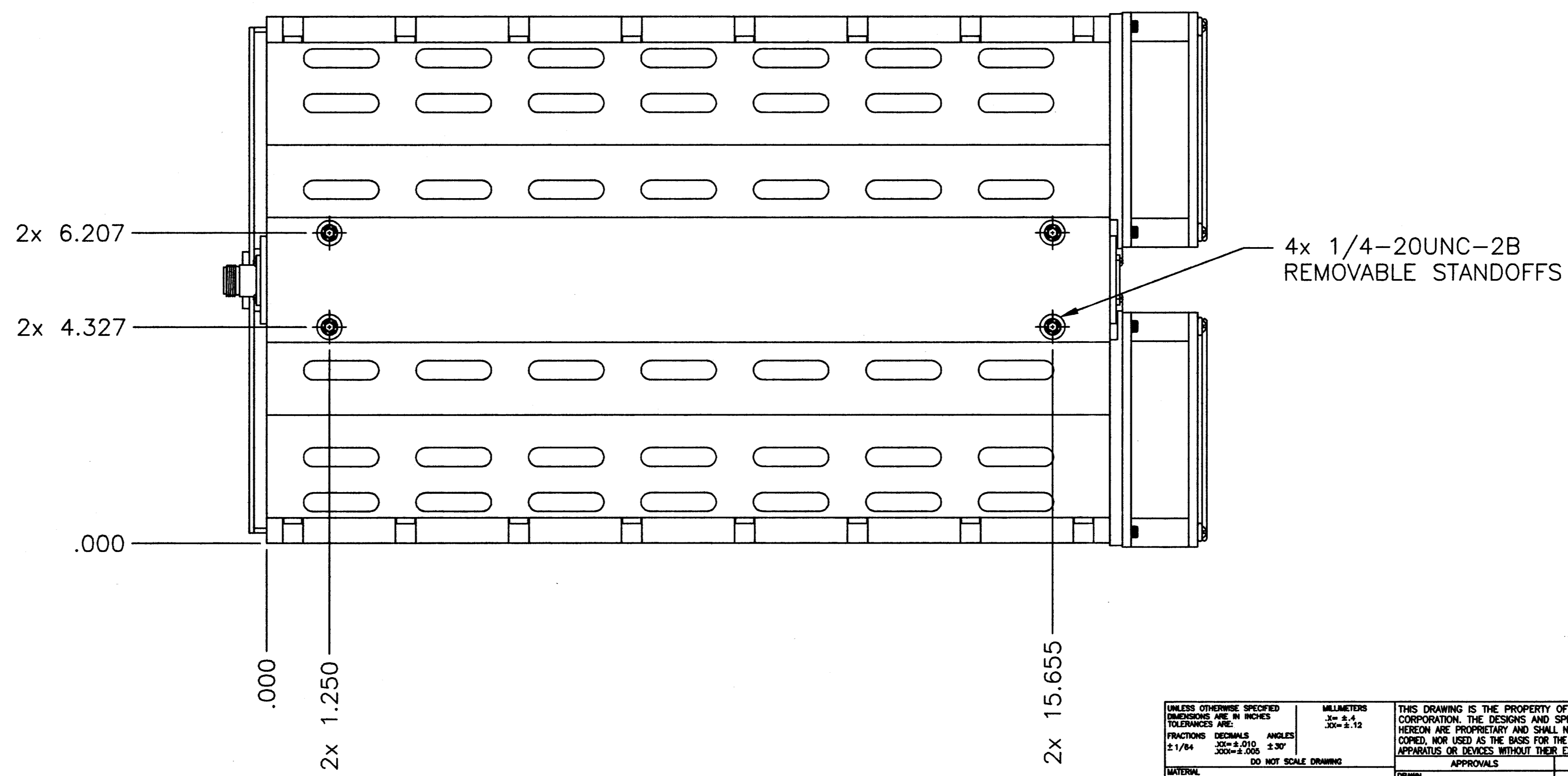
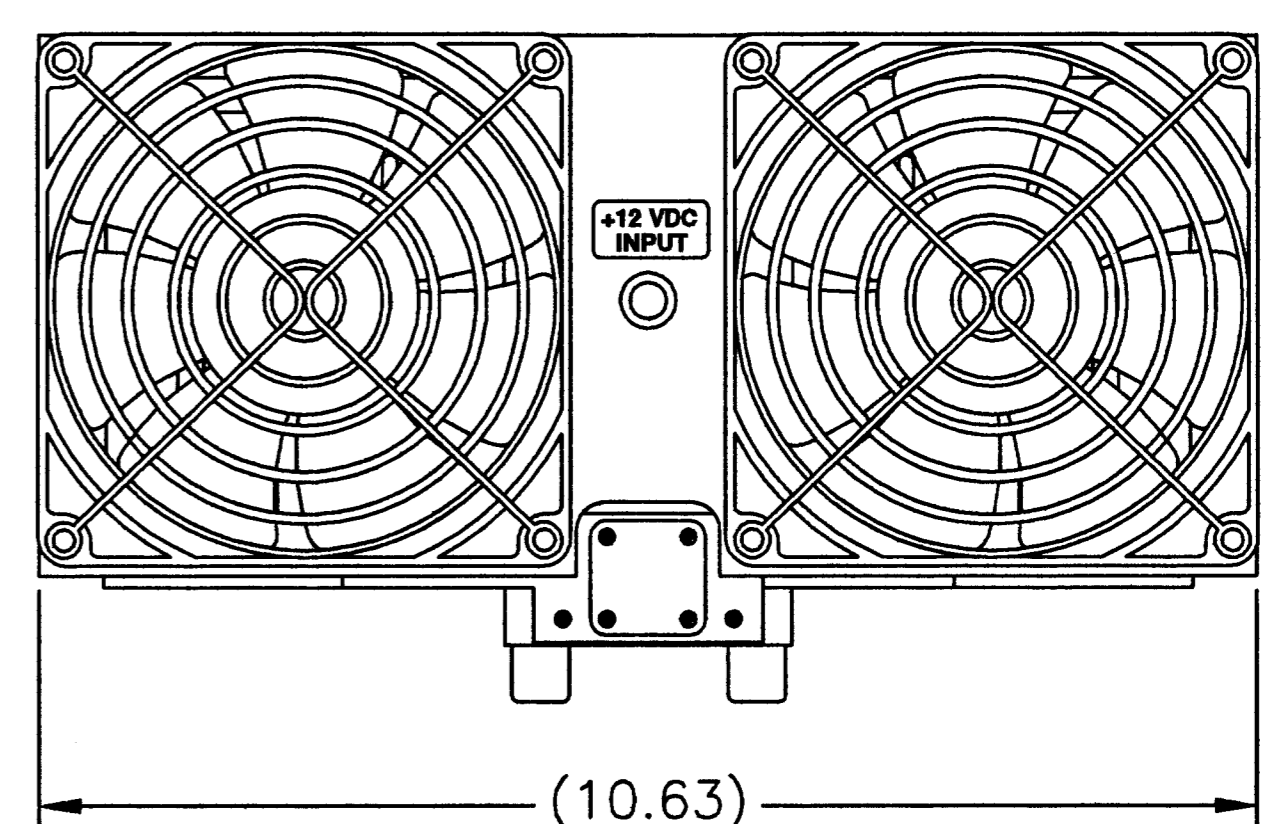
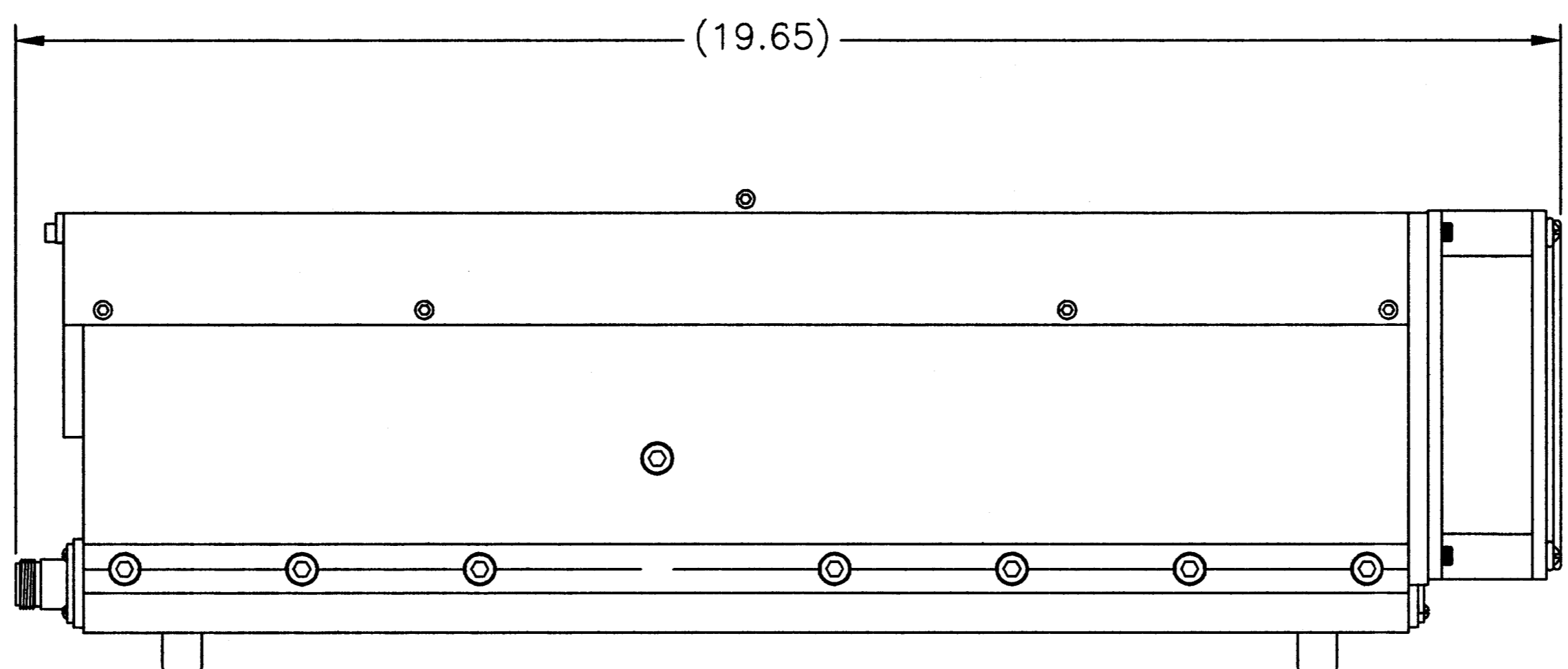
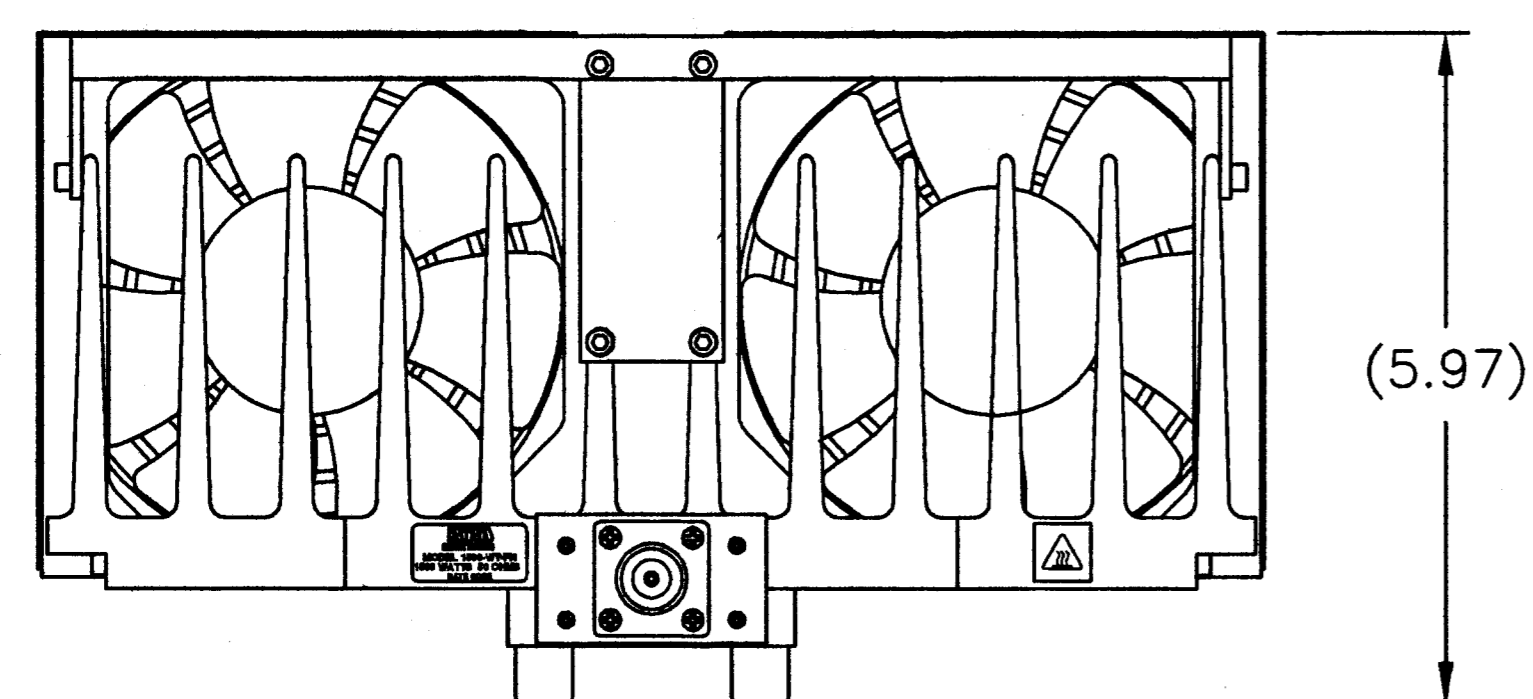


REVISIONS				
ZONE	REV	DESCRIPTION	DATE	APPROVED
A		CONVERT TO BEC FORMAT	DMR 4-3-03	MBJ

SPECIFICATIONS:

IMPEDANCE: 50 OHMS NOMINAL
 FREQUENCY RANGE: DC TO 2.4GHz
 VSWR: DC TO 1GHz AT 1.10:1 MAX.
 1GHz TO 2.4 GHz AT 1.25:1 MAX.
 POWER RATING: 1500 WATTS AVG. 4kW PEAK
 - WITH 210 CFM AIR FLOW AT 25°C.
 COOLING FIN AND SHROUD: ALUMINUM, BLACK ANODIZED
 COVER: ALUMINUM, BLACK ANODIZED
 CONNECTOR: N-TYPE FEMALE, TRI-ALLOY PLATED
 FANS: +12VDC, BRUSHLESS (ACTIVATED ONLY WHEN UNIT REACHES +70°C.)
 - 90 VAC TO 264 VAC, 47 Hz TO 63 Hz, UNIVERSAL TRANSFORMER INCLUDED
 OPERATING POSITION: HORIZONTALLY
 NOMINAL SIZE: APPROX. 19.65" L X 10.63" W X 5.97" H
 WEIGHT: APPROX. 30 LBS



NOTES:

- ☑ 1. PART MUST BE BURR FREE.
- ☑ 2. CHAMFER 1st THREAD.
- ☑ 3. 63 MICROINCH UNLESS OTHERWISE SPECIFIED.
- ☐ 4. PER BPS.
- ☑ 5. .005 RADIUS ON ALL INSIDE & OUTSIDE CORNERS UNLESS OTHERWISE SPECIFIED.

UNLESS OTHERWISE SPECIFIED DIMENSIONS ARE IN INCHES TOLERANCES ARE: FRACTIONS DECIMALS ANGLES 2/1/84 .004 ±.010 1/30° XXX ±.005 XXX ±.005		MILLIMETERS ±.1 ±.12	THIS DRAWING IS THE PROPERTY OF THE BIRD ELECTRONIC CORPORATION. THE DESIGNS AND SPECIFICATIONS DISCLOSED HEREON ARE PROPRIETARY AND SHALL NOT BE REPRODUCED, COPIED, NOR USED AS THE BASIS FOR THE MANUFACTURE OR SALE OF APPARATUS OR DEVICES WITHOUT THEIR EXPRESS WRITTEN CONSENT.		 BIRD Electronic Corporation Cleveland (Solon) Ohio USA
DO NOT SCALE DRAWING		APPROVALS	DATE	TITLE	
MATERIAL	DRAWN	D.M.RINK	4-3-03	TERMINATION, FORCED AIR COOLED N-TYPE FEMALE, 1500W	
FINISH	CHECKED	APPROVED	10-29-03	SIZE D FROM NO. 70998 DWG. NO. 1500-WT-FN REV A	
	AUTOCAD	SCALE	1:1	CDWG CODE AT1 SHEET 1 OF 1	